

FACTORY SALES and SERVICE CENTERS

Area Code	Telephone No.	Area Code	Telephone No.
ALABAMA 35233, Birmingham, 1717 Third Ave., So.	205 324-6691	NEW YORK 14209, Buffalo, 881 W. Delavan Ave.	716 44-6220
ARIZONA 85007, Phoenix, 537 E. McDowell Rd.	602 AL 8-1332	10452, New York, 1894 E. Tremont Ave. (Bronx)	212 ST 2-2700
ARKANSAS 72201, Little Rock, 519 West Seventh St.	501 FR 2-3040	10014, New York, 227 Varick St. (Manhattan)	212 WA 9-6450
CALIFORNIA 92802, Anaheim, 1235 S. Euclid Ave.	714 772-4050	11377, New York, 56-15 Queens Blvd. (Woodside)	212 DE 5-1042
90007, Los Angeles, 2432 S. Broadway	213 RI 9-0371	14620, Rochester, 476 Clinton Ave., S.	716 454-3814
94606, Oakland, 1107 E. 14th St.	415 TE 4-5944	13224, Syracuse, 2140 Erie Blvd., E.	315 446-3086
95814, Sacramento, 1915 Seventeenth St.	916 444-3188	NORTH CAROLINA 28206, Charlotte, 1710 W. Graham St.	704 FR 5-3721
92105, San Diego, 3811 El Cajon Blvd.	619 AT 1-3331	28306, Fayetteville, P.O. Box 4305, Highway 301, S.	919 425-1181
95050, Santa Clara, 2291 The Alameda	408 241-3162	27403, Greensboro, 1032 West Lee St.	919 275-4487
94080, South San Francisco, 1139 Airport Blvd.	415 871-7278	OHIO 45203, Cincinnati, 1225 Western Ave.	513 421-2275
COLORADO 80204, Denver, 675 Kalamath St.	303 222-0621	44113, Cleveland, 3901 Detroit Ave.	216 OL 1-4243
CONNECTICUT 06114, Hartford, 131 Meadow St.	203 249-6241	43202, Columbus, 3293 N. High St.	614 AM 8-5797
FLORIDA 32208, Jacksonville, 5224 Pearl Street	904 836-8351	45420, Dayton, 617 Watervliet Ave.	513 252-1821
33147, Miami, 2075 N. W. 54th Street	305 356-2951	44139, Solon, 6225 Cochran Rd.	216 CH 8-5330
32806, Orlando, 940 So. Orange Ave.	305 NE 3-9839	43606, Toledo, 2629 W. Central Ave.	419 475-6771
33609, Tampa, 3407 S. Dale Mabry Hwy., N.W.	813 241-4015	OKLAHOMA 73106, Oklahoma City, 1717 Linwood Blvd.	405 CE 2-7515
GEORGIA 30313, Atlanta, 316 Techwood Dr., N.W.	404 JA 4-0431	74114, Tulsa, 2602 So. Harvard St.	918 747-1558
HAWAII 96813, Honolulu, 675 Auahi St.	808 569-374	OREGON 97209, Portland, 1640 N.W. Johnson St.	503 CA 8-8631
ILLINOIS 60607, Chicago, 1100 W. Jackson Blvd.	312 TA 9-3500	PENNSYLVANIA 17112, Harrisburg,	
60646, Chi., Lincolnw'd, 6710 N. Crawford Ave.	312 OR 3-0923	6070 Allentown Rd.	717 KI 5-0651
60655, Chicago, 10708 S. Western Ave.	312 BE 3-8832	17604, Lancaster, 715 Fountain Ave.	717 EX 3-5831
INDIANA 47708, Evansville, 931 Bond St.	812 425-4269	19103, Philadelphia, 333 N. 20th St.	215 LO 4-5520
46207, Indianapolis, 1125 W. 16th St.	317 632-5569	15232, Pittsburgh, 5437 Baum Blvd.	412 362-2700
IOWA 50312, Des Moines, 2811 Ingersoll Ave.	515 CH 4-7257	RHODE ISLAND 02914, East Providence,	
KANSAS 67214, Wichita, 203 No. Mathewson St.	316 FO 3-6571	2777 Pawtucket Ave.	401 434-1655
KENTUCKY 40221, Louisville, 4407 Park Blvd.	502 366-1495	SOUTH CAROLINA 29601, Greenville, 407 Pendleton St.	803 232-3038
LOUISIANA 70112, New Orleans, 2010 Poydras St.	504 522-2544	TENNESSEE 37917, Knoxville, 1123 N. Central St.	615 546-2481
MARYLAND 21211, Baltimore, 203 W. 28th St.	301 HO 7-7411	38106, Memphis, 921 South Third St.	901 WH 2-3244
21205, Baltimore, 4712 Erdman Ave.	301 485-5550	73710, Nashville, 533 Fourth Ave., South	615 254-0110
20710, Bladensburg, 4501 Baltimore Ave.	301 779-3808	TEXAS 75106, Amarillo, 3008 West 6th Ave.	806 DR 3-1531
21204, Towson, 701 E. Joppa Rd.	301 VA 3-4400	75207, Dallas, 1808 N. Industrial Blvd.	214 RI 1-6401
MASSACHUSETTS 02135, Boston,		76103, Fort Worth, 1801 Bomar St.	817 ED 6-0175
12 Market St. (Brighton)	617 ST 2-6264	77003, Houston, 105 Sampson St.	713 CA 8-7521
MICHIGAN 48219, Detroit, 18133, W. McNichols Rd.	313 534-8880	78210, San Antonio, 1314 S. St. Mary's St.	512 LE 4-4611
48234, Detroit, 11360 East Seven Mile Rd.	313 527-5010	UTAH 84115, Salt Lake City, 1541 S. Second West	801 HU 8-7056
48509, Grand Rapids, 1296 36th St., S.W.	616 534-7708	VIRGINIA 22046, Falls Church, 129 Annandale Rd.	703 533-1147
MINNESOTA 55408, Minn., 2815 Nicollet Ave.	612 TA 3-5283	23517, Norfolk, 337 West 21st St.	703 625-6888
MISSOURI 64108, Kansas City, 2705 McGee Hwy.	816 HA 1-1493	23222, Richmond, 1424 Chamberlayne Ave.	703 649-9245
63110, St. Louis, 615 S. Vandeventer Ave.	314 JE 3-2210	WASHINGTON 98109, Seattle, 434 Eighth Ave., N.	206 MA 3-6442
NEBRASKA 68102, Omaha, 2218 Leavenworth St.	402 345-2330	99202, Spokane, 3025A E. Mission Ave.	509 KE 4-7188
NEW JERSEY 07104, Newark, 868 Broadway	201 HU 3-1076	WEST VIRGINIA 25301, Charleston,	
NEW MEXICO 87110, Albuquerque,		116 Washington St., East	304 343-0289
4700 Lomas Blvd., N.E.	505 265-6401	WISCONSIN 53213, Milwaukee, 6301 Blue Mound Rd.	414 GR 6-7800

BLACK & DECKER SALES AND SERVICE CENTRES

HALIFAX, N.S.: 803 McLean Street	HAMILTON, ONT.: 180 Parkdale Ave. North
QUEBEC, P.Q.: 330 St. Roch Street	LONDON, ONT.: 631 Commissioners Rd. E.
MONTREAL, QUE.: 7865 St. Lawrence Blvd.	WINNIPEG, ST. JAMES,
LONGUEUIL, ONT.: 1568 Chemin De Chambly	MAN.: 934 St. James St.
OTTAWA, ONT.: 285 Richmond Rd.	REGINA, SASK.: 1076 Albert Street
BROCKVILLE, ONT.: Central Avenue	CALGARY, ALTA.: 1003 11th Ave., S.W.
SCARBOROUGH, ONT.: 729 Kennedy Road	EDMONTON, ALTA.: 11440 Ave. - 142nd Street
DON MILLS (Toronto), ONT.: 2 Valleybrook Drive	VANCOUVER, B.C.: 24 West 2nd Avenue
THE QUEENSWAY (Toronto), ONT.: 1180 The Queensway	

AUTHORIZED SERVICE STATIONS

ALABAMA, Montgomery	CONNECTICUT, New Haven	MAINE, Westbrook	OHIO, Youngstown	TEXAS, Corpus Christi
ALASKA, Anchorage	DELAWARE, Wilmington	MINNESOTA, Moorhead	PENNSYLVANIA, Allentown	El Paso, Harlingen
Fairbanks	FLORIDA, Pensacola	MISSISSIPPI, Jackson	Erie	Lubbock
ARIZONA, Tucson	IDAHO, Boise, Lewiston	MONTANA, Billings	SOUTH CAROLINA, Charleston	VIRGINIA, Roanoke
CALIFORNIA, Fresno	INDIANA, South Bend	NEVADA, Reno	Columbia	WASHINGTON, Yakima
Stockton		NORTH CAROLINA, Raleigh	SOUTH DAKOTA, Rapid City	WEST VIRGINIA, Wheeling

DISTRIBUTION CENTERS

CALIFORNIA 94804, Richmond, 1732 Wright Ave.
Phone: 415 235-4232
CONNECTICUT 06051, New Britain, 595 John Downey Drive
Phone: 203 225-8415
GEORGIA 30315, Atlanta, 3271 Hamilton Blvd. S.W.
Phone: 404 761-8091-2
ILLINOIS 60018, Des Plaines, 2180 S. Wolf Road
Phone: 312 827-7145
(Sales Office: 312 827-0083)
MARYLAND 21074, Hampstead, Phone: 301 TE 3-4444
MISSOURI 64116, N. Kansas City, 1343 Murray Dr.
Phone: 816 VI 2-6350

MANUFACTURING PLANTS

Lancaster, Pa.; Solon, Ohio;
Towson, Md.; Hampstead, Md., U.S.A.;
Brockville, Ontario, Can.; Harmondsworth
Middx., Maidenhead, Spennymoor,
England; Croydon, Vic., Australia; Lyon,
France; Milan, Italy

SALES AND SERVICE SUBSIDIARIES

Vienna, Austria; Brussels, Belgium; Copenhagen,
Denmark; Düsseldorf, Germany; Mexico, D.F.,
Monterrey, Guadalajara, Mexico; Rotterdam,
Netherlands; Auckland, Wellington, Christchurch,
New Zealand; Oslo, Norway; Johannesburg,
Cape Town, Durban, South Africa; Barcelona,
Spain; Göteborg C, Sweden; Zurich, Switzerland;
Caracas, Venezuela
BLACK & DECKER, INC., Urbanizacion Industrial
Julia, Caparra Heights, San Juan, Puerto Rico

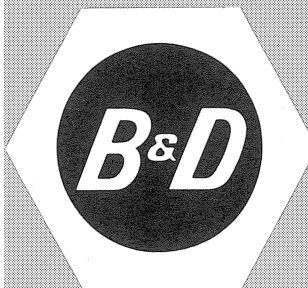
B&D Quality Guarantee

"Black & Decker guarantees, for one year from date of purchase, to correct by repair or parts replacement, without charge, any defect due to faulty material of workmanship. Simply return the complete unit, transportation prepaid, to any Black & Decker Service Centre or authorized Service Station. Naturally, we assume no responsibility for damage caused by misuse, careless handling or where repairs have been made or attempted by others. No other guarantee, written or verbal, is authorized by us."

Black & Decker

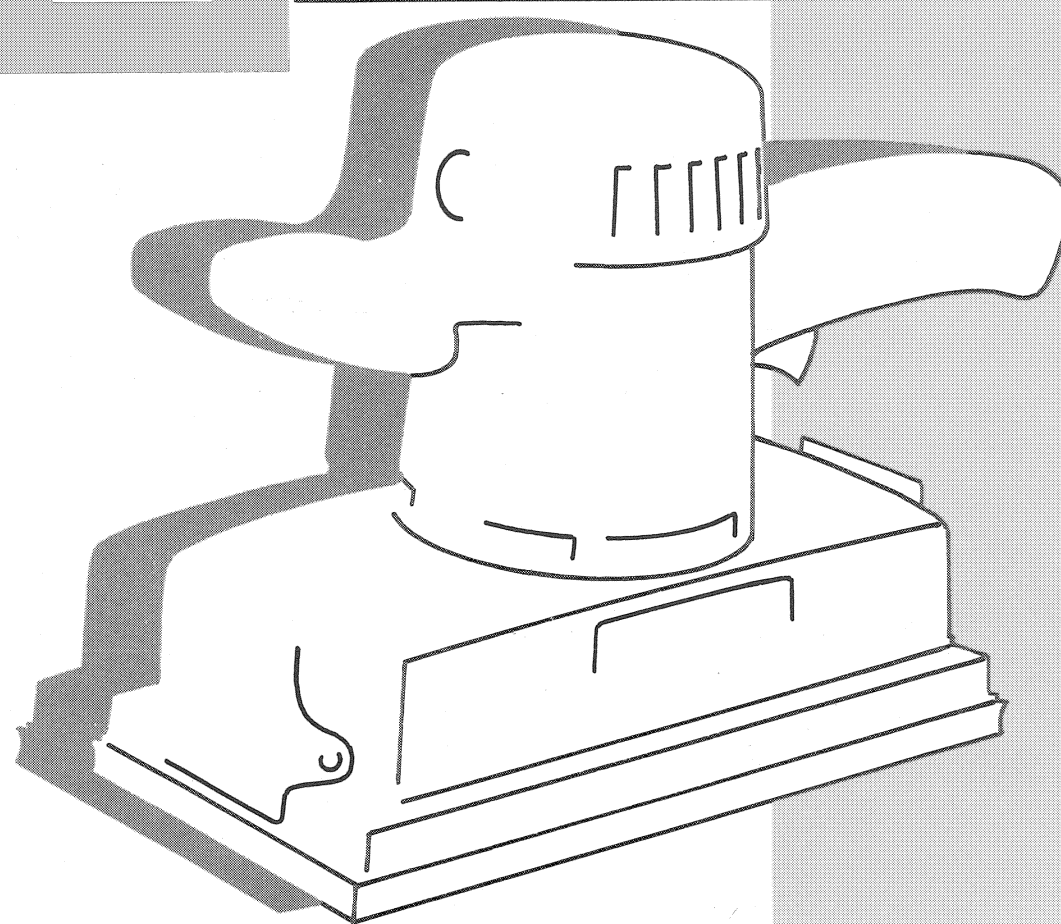


This tool is protected by Rapid Exchange Service. See guarantee above.



Black & Decker

POWER TOOLS



OWNER'S MANUAL

This booklet is provided for your convenience in the use and care of your new Black & Decker tool. These instructions include operation, safety precautions, preventive maintenance, maintenance and other pertinent data to assist you in assuring long life and dependable service.

4015
**HEAVY-DUTY
FINISHING
SANDER**
TYPES 1A & 2

OPERATION:

Grasp both switch handle and front knob handle firmly. Turn tool "ON" and use tool freely without forced effort or excessive pressure. In most cases, the weight of the tool will provide sufficient pressure.

Move the sander in any direction over the work area. (When sanding wood, it is **not** necessary to sand only with the grain). Sand only long enough to obtain a smooth surface—cutting action is rapid and too much material may be removed by prolonged sanding.

For best results in wood sanding, sand first with coarse paper, then with medium paper, and last with fine paper. To obtain an exceptionally smooth surface, wet the wood with a rag or sponge and let the wood dry. The grain of the wood will then raise slightly and the surface will feel rough. Resand with B&D 150 or 4/0 grit paper for extra smooth results.

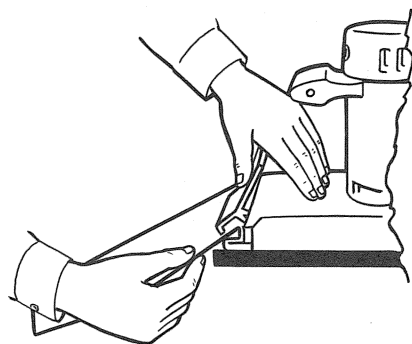
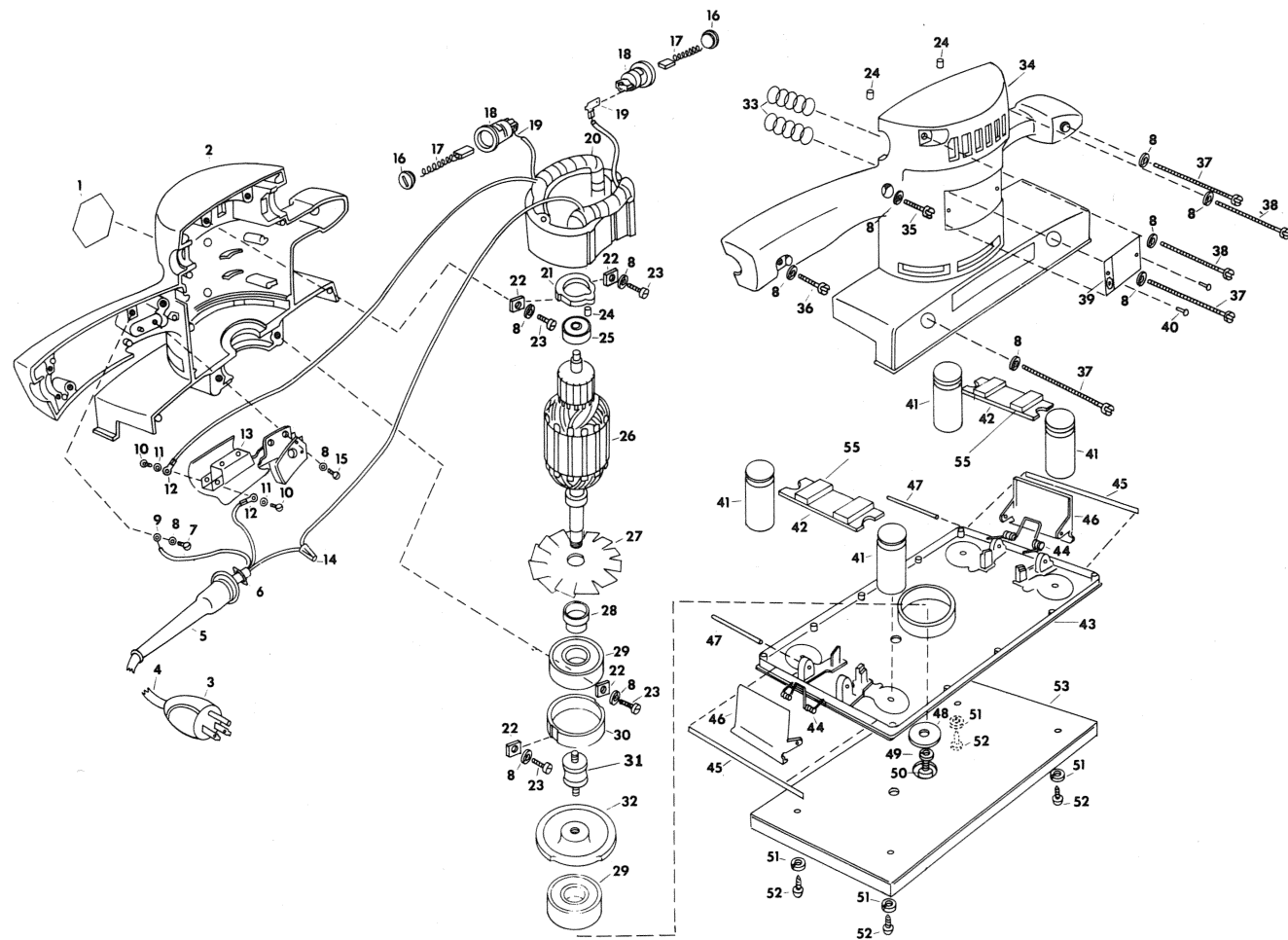


Fig. 2



PARTS IDENTIFICATION

4015 H.D. FINISHING SANDER, 3.0 AMPS., 10,000 O.P.M.

Index No.	Part No.	Part Description	Quantity	Index No.	Part No.	Part Description	Quantity	Index No.	Part No.	Part Description	Quantity
1	57005	ident sticker	1	19	46212-01	lead terminal	2	38	65393	#8-32 x 2 1/8 FH screw	2
2	61037	motor housing	1	20	59320-71	field (120V)	1	39	975002	nameplate	1
3	36478	attach. plug (120V)	1		59320-73	field (150V)	1	40	3041	drive screw	2
	37140	attach. plug (150-250V)	1		59320-95	field (100V)	1	41	66181	flexible post	4
4	36480-98	cord & plug (includes item 3) (120V)	1		59320-75	field (220V)	1	42	65427	post spacer; includes item 55 (2)	2
	37142	cord & plug (includes item 3) (150-250V)	1	21	61138	bearing retainer	1	43	58871	base plate (includes 44, 45, 46, 47)	1
5	24288	cord protector	1	22	61137	clamp	4	44	58874	spring	2
6	8033	cord clamp	1	23	1789	#8-32 x 1/2 FH screw	4	45	58897	bumper	2
7	7895	#8-32 x 1/4 RH screw	1	24	30611	rubber plug	3	46	58815	clamp	2
8	418	#8 lockwasher	12	25	67140	ball bearing	1	47	67374	roll pin	2
9	1747	lead terminal	1	26	89559-31	armature 120V	1	48	5927-01	washer	1
10	20404	#5-40 x 5/32 term. screw	2		89560-33	armature 150V	1	49	416	1/4 lockwasher	1
11	1991	#6 lockwasher	2		89560-35	armature 220V	1	50	10584	1/4-28 x 3/8 RH screw	1
+12	26192	lead terminal	2	27	58814	fan	1	51	417	#10 lockwasher	4
13	49352	switch 100-120V	1	28	58876	spacer	1	52	34935	#10-32 x 1/2 screw	4
	62051	switch 150-250V	1	29	54301	ball bearing	2	53	59998	base plate & pad	1
+14	32114	wire connector	1	30	61139	bearing retainer	1	55	66178	dampener pad	4
15	1988	#8-32 x 1/4 RH screw	1	31	63896	flexible coupling	1				
16	46210	br. hold plug	2	32	89773	eccentric	1				
17	46211	brush assembly 100-120V	2	33	61140	spring	2				
	50946	brush assembly 150-250V	2	34	61038	cover housing	1				
18	61208	brush holder	2	35	379	#8-32 x 3/4 FH screw & w	1				
				36	640	#8-32 x 1 FH screw	1				
				37	99410-38	#8-32 x 2 3/8 FH screw	3				

† Omit on 150, 220, and 240 volt units.

WHEN ORDERING REPLACEMENT PARTS, YOU MUST GIVE UNIT, TYPE AND CATALOG NUMBER AS SHOWN ON NAMEPLATE, PLUS PART NUMBER AND NAME OF PART NEEDED.

MOTOR:

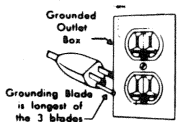
Your Black and Decker tool is powered by a B&D built "Universal" motor. It operates, at nameplate voltage on Alternating Current (25 to 60 cycles) or on Direct Current. Voltage variation of more than 10% will cause loss of power and overheating. All B&D tools are factory-tested; if this tool does not operate, check the following: Supply line for blown fuses; plug and receptacle for contact; carbon brushes.

COMMUTATOR AND BRUSHES:

Inspect carbon brushes often. Replace when brushes are worn down to identifying letter or groove or when spring exerts insufficient pressure to hold brush against commutator. Keep brushes clean and sliding freely in guides. Inspect commutator for dirt and excessive wear. If dirty or rough, clean **lightly** with very fine sandpaper (**not emery cloth**). If badly worn or grooved, send tool to our nearest service station for repair (see back page).

GROUNDING:

These units are equipped with approved 3-conductor cord and 3-blade grounding type attachment plug cap to be used with the proper grounding type receptacle, in accordance with the Canadian Electrical Code.



CABLE:

The cable is the "life line" of your tool — keep it clean by wiping it off occasionally. Keep it out of oils and greases which ruin the rubber. Coil it neatly when not in use and avoid dragging it across sharp surfaces or using it as a handle to lift the tool.

Ampere rating (on nameplate)	0 to 2.0	2.10 to 3.4	3.5 to 5.0	5.10 to 7.0	7.10 to 12.0	12.1 to 16.0
Ext. Cable length	Wire Size (A.W.G.)					
25 ft.	18	18	18	18	16	14
50 ft.	18	18	18	16	14	12
75 ft.	18	18	16	14	12	10
100 ft.	18	16	14	12	10	—
150 ft.	16	14	12	12	—	—
200 ft.	16	14	12	10	—	—

When using the tool at a considerable distance from power source, an extension cable of adequate size must be used to prevent loss of power and over-heating. Use the table below for 120 volt tools. For 220 volt tools, use wire size corresponding to an extension length of 1/2 the contemplated length.

SAFETY PRECAUTIONS:

1. ALWAYS BE SURE THAT THE TOOL IS PROPERLY GROUNDED.
2. BEFORE MAKING ANY ADJUSTMENTS, ATTACHING ABRASIVE PAPER, INSPECTING, CHANGING BRUSHES, OR AT ANY TIME TOOL IS NOT IN USE, BE SURE THAT THE SWITCH IS IN THE "OFF" POSITION AND THAT THE TOOL HAS BEEN DISCONNECTED FROM THE POWER SUPPLY.

SWITCH:

These tools are equipped with a trigger switch and locking pin. To start tool, depress trigger; to stop tool, release trigger. To lock trigger in "ON" position for continuous operation, depress trigger, push in locking pin (located next to trigger), and release trigger. To release locking mechanism and turn tool "OFF", depress and release trigger.

LUBRICATION:

This tool has been completely lubricated at the factory and is ready for use. No further periodic lubrication is necessary. All bearings are closed type, grease sealed ball bearings which require no lubrication.

ATTACHING ABRASIVE PAPER:

1. UNPLUG TOOL FROM POWER SUPPLY.
2. DEPRESS CLAMP AND HOLD IN OPEN POSITION — (see Fig. 2, on back cover), INSERT PAPER AND RELEASE CLAMP.
3. DRAW PAPER TIGHT ACROSS PAD TOWARD BACK OF UNIT AND REPEAT SAME OPERATION AS ABOVE.

ACCESSORY AND REPLACEMENT PARTS FOR NO. 4015 SANDER

Model No. 59991. Felt Pad and Plate is available for use as an accessory or replacement part.
Model No. 59998. Rubber Pad and Plate (standard with the No. 4015 Sander).

ABRASIVE PAPER 4 1/2" x 11" size

- U1416** 60 grit **U1417** 100 grit **U1418** 150 grit